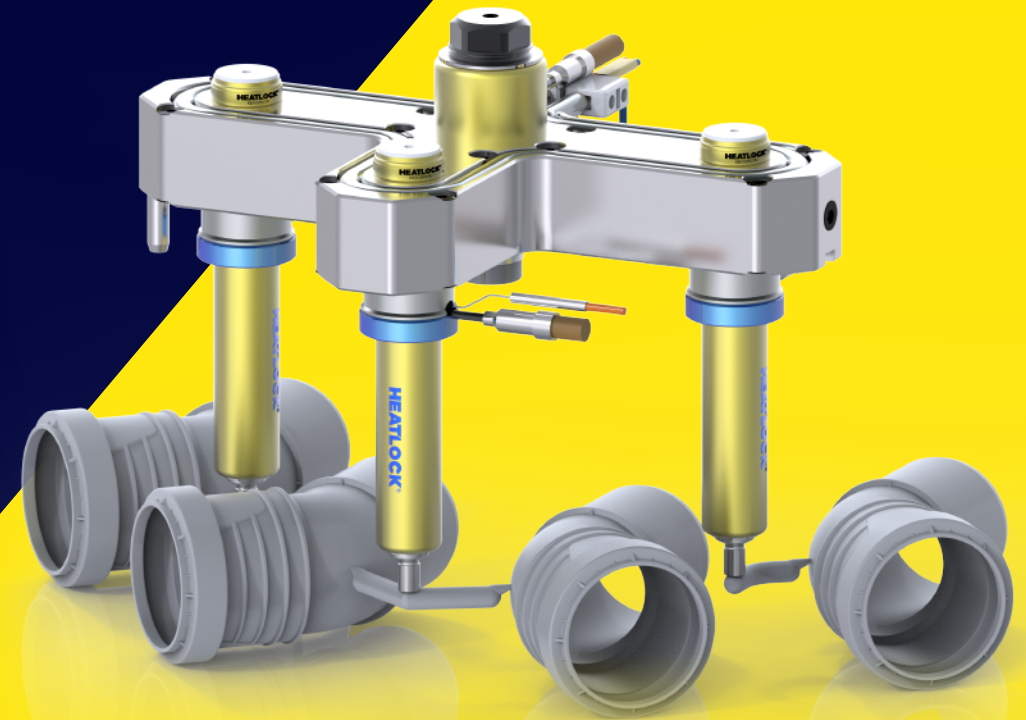


HEATLOCK®

MARKET	:	PLASTIC PIPE
PROJECT NO.	:	E181-7899
SOLUTION	:	EXTRUSION GRADE, 3 DROPS, FULLY BALANCED
HR SYSTEM/GATE	:	A1 OPEN SYSTEM, HOT TO COLD
RESIN	:	LYONDELLBASELL MOPLen EP2967 (PP)
PART WEIGHT	:	40g
GATE TYPE	:	A1EN OPEN GATE



HEATLOCK Co., Ltd.

Order & Info

E : frontdesk@heatlock.com

For a complete list of our distributors around the world, please refer to our website www.heatlock.com

