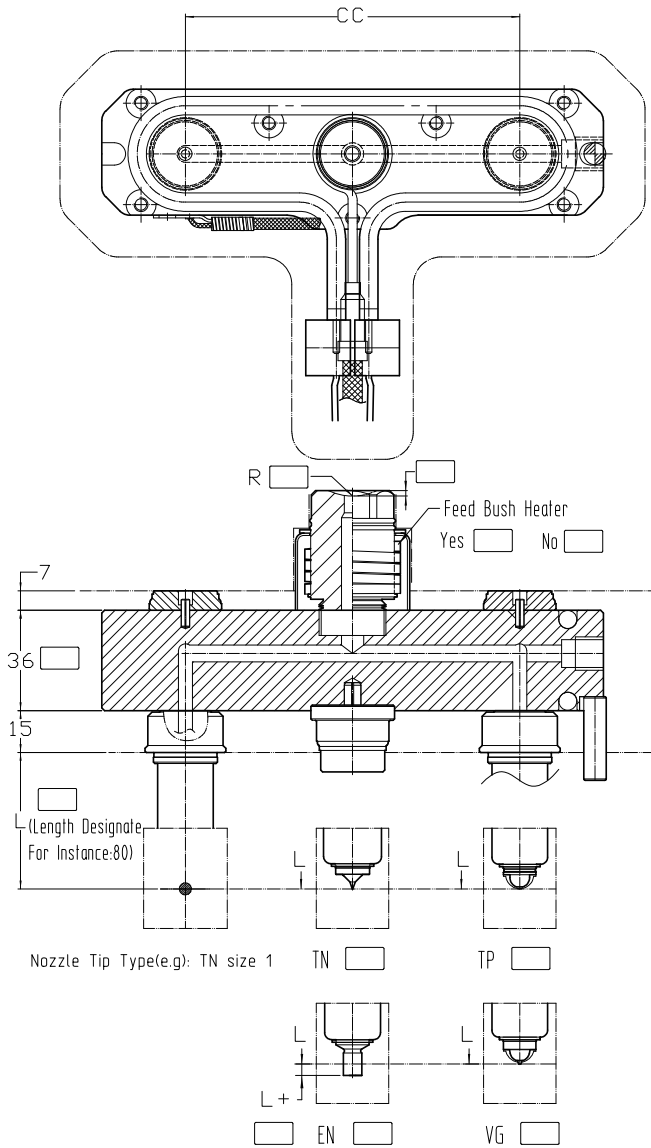
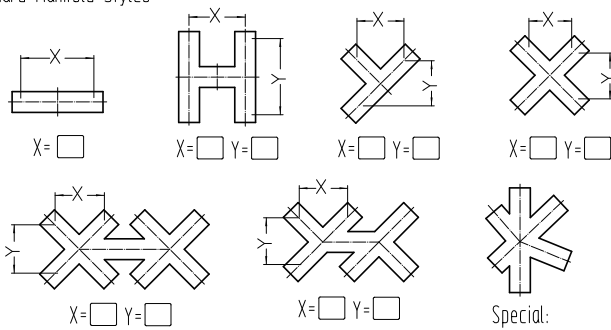


Fill in the form and email to us: [frontdesk@heatlock.com](mailto:frontdesk@heatlock.com)



Standard Manifold Styles



Please provide the following information:

<b>Customer Quote NO.:</b>	
<b>Company:</b>	
<b>Contact:</b>	<b>Date:</b>
<b>Address:</b>	
<b>Tel:</b>	
<b>Fax:</b>	
<b>E-mail:</b>	
<b>Product Description:</b>	
<b>Material:</b>	<b>Glass Filled: %</b>
	<b>Frame Retardant:</b>
<b>Per Part Weight:</b>	
<b>NO. of Cavities:</b>	
<b>NO. of Gates Per Product:</b>	
<b>Wall Thickness:</b>	
<b>Remarks:</b>	

Order Example: H6080-80-TN1-3 06-R19D5H

Manifold			Nozzle							Feed bush				
Type	X	Y	—	L	L+	Front type	Tip material	Exits in tip	Runner	—	R	D	Heater	
H	60	80	-	80	-	NPX	1	-	3	6	-	R19	D5	H