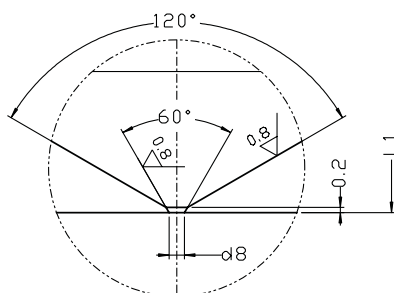
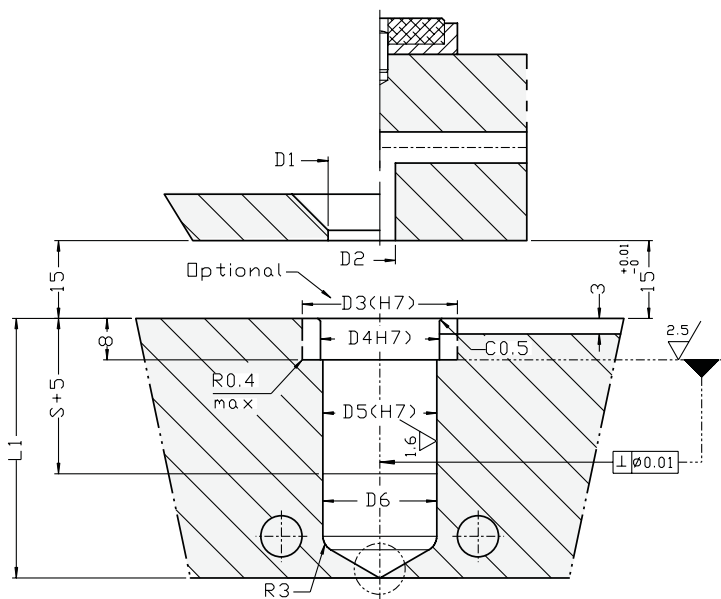
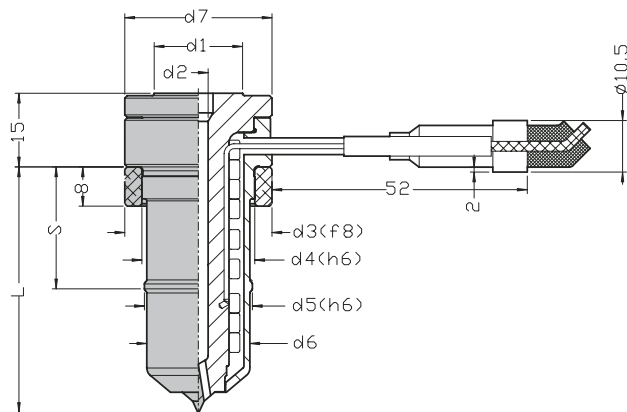
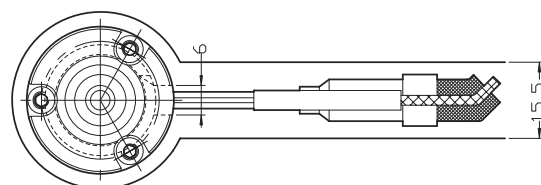


# A1-NPT

HEATLOCK®



## A1-T Series Features

- Easy to install, easy to use
- For direct gate on the part
- Excellent heat control around gate area
- Ceramic (size 1) or Titanium insulation ring optional

## A1NPT 系列

(單位：毫米)

| 型號          | L   | L1     | S  | d1 | d2 | d3 | d4 | d5 | d6   | d7 | d8   | D1 | D2 | D3 | D4 | D5 | D6 |
|-------------|-----|--------|----|----|----|----|----|----|------|----|------|----|----|----|----|----|----|
| A1NPT104022 | 40  | 40.11  | 15 | 18 | 4  | 30 | 23 | 22 | 21   | 30 | ≥0.6 | 20 | 6  | 30 | 23 | 22 | 22 |
| A1NPT105022 | 50  | 50.13  | 25 |    |    |    |    |    |      |    |      |    |    |    |    |    |    |
| A1NPT106022 | 60  | 60.15  | 25 |    |    |    |    |    |      |    |      |    |    |    |    |    |    |
| A1NPT108022 | 80  | 80.19  | 35 |    |    |    |    |    |      |    |      |    |    |    |    |    |    |
| A1NPT110022 | 100 | 100.23 | 45 |    |    |    |    |    |      |    |      |    |    |    |    |    |    |
| A1NPT112022 | 120 | 120.36 | 55 |    |    |    |    |    |      |    |      |    |    |    |    |    |    |
| A1NPT204026 | 40  | 40.08  | 15 | 25 | 6  | 40 | 27 | 26 | 24.5 | 35 | ≥0.8 | 27 | 6  | 40 | 27 | 26 | 26 |
| A1NPT206026 | 60  | 60.16  | 25 |    |    |    |    |    |      |    |      |    |    |    |    |    |    |
| A1NPT208026 | 80  | 80.20  | 35 |    |    |    |    |    |      |    |      |    |    |    |    |    |    |
| A1NPT210026 | 100 | 100.24 | 45 |    |    |    |    |    |      |    |      |    |    |    |    |    |    |
| A1NPT212026 | 120 | 120.28 | 55 |    |    |    |    |    |      |    |      |    |    |    |    |    |    |
| A1NPT214026 | 140 | 140.31 | 65 |    |    |    |    |    |      |    |      |    |    |    |    |    |    |
| A1NPT216026 | 160 | 160.35 | 75 |    |    |    |    |    |      |    |      |    |    |    |    |    |    |

### 參考資料

#### 熱膨脹參數 (L1 = L + X.XX) (單位：毫米)

用於精確計算L1數據的軟件nozzle est.rar已經上傳到我司網站，請登陸<http://www.heatlock.com/cad/cad.htm> 後，找到下拉菜單下的Nozzle Length Calculator下載。

(單位：毫米)

| 類別            | 注膠量(克) | 低粘性  | 中粘性  | 高粘性 | 備註                      |
|---------------|--------|------|------|-----|-------------------------|
| A1-NPT size 1 | <140   | <140 | <60  | <20 | d8 為出廠最小值，可按客戶要求加大至 2mm |
| A1-NPT size 2 | <330   | <330 | <220 | <70 | d8 為出廠最小值，可按客戶要求加大至 3mm |

訂單示例：

**A1NPT-X--XXX---XX**

(系列號) (L) (d5)

**A1NPT 1 080 22**