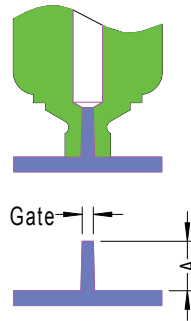


→ A1 EN Series



- Easy to install, easy to use
- For direct gate or gate on runner, easy to control gate temperature
- Excellent heat separation between HR and mould
- Ceramic (size1) or Titanium insulation ring optional

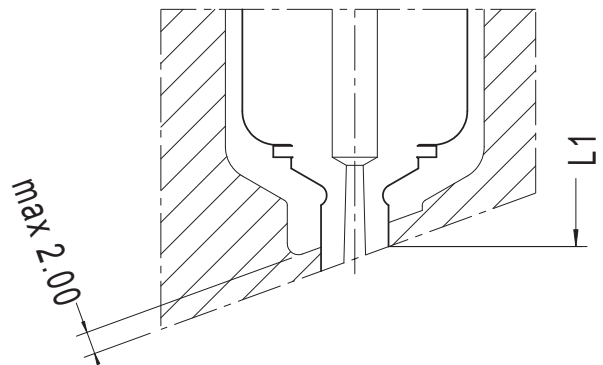
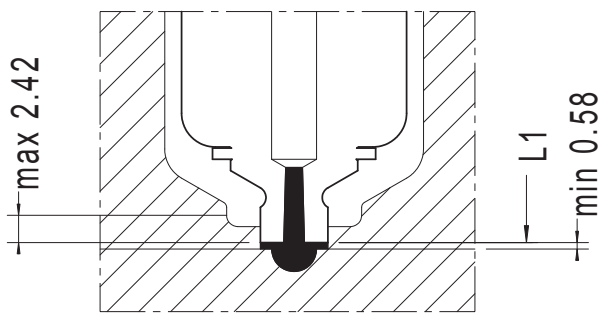
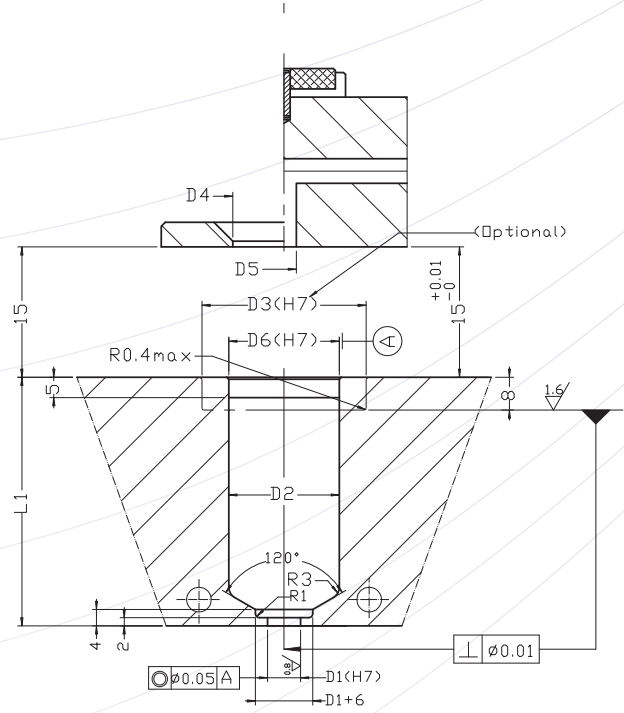
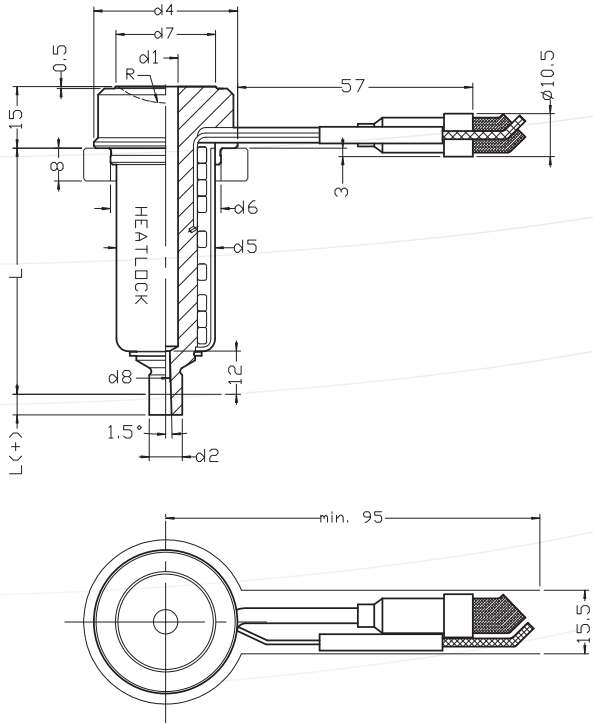


(mm)

Size	EN1	EN2	EN3	EN4
L	40~120	40~160	60~180	80~200
A	6.7	8	9	9
Φ Feed	4	6	9	14
Φ Gate	1.5~3	2~4	2~5	3~6

Shot Weight(g)				
Low-viscosity	100	450	850	1800
Medium-viscosity	60	240	400	1200
High-viscosity	7	30	70	600

→ A1 EN guide



→ A1 EN Nozzle Dimension

(mm)

A1 EN	Nozzle						Mould								Optional	
	length	Extended nozzle length	Feed			Gate	Mould dimension									Ceramic ring
Size	L	L(+)	d1	d4	d7	d8	L1	L2	D1	D2	D3	D4	D5	D6	D1	D2
A1EN1040	40	5	4	29	18	1.5	40.58	6.7	6	23	C30 T30	20	6	23	KEM03002308	TIM03002308
A1EN1050	50						50.60									
A1EN1060	60						60.61									
A1EN1080	80						80.65									
A1EN1100	100						100.69									
A1EN1120	120						120.73									
A1EN2040	40	5	6	35	24.5	2	40.58	8	8	27	T36 T40 T50	26.5	6	27	-	TIM03602708 TIM04002708 TIM05002708
A1EN2060	60						60.61									
A1EN2080	80						80.65									
A1EN2100	100						100.69									
A1EN2120	120						120.73									
A1EN2140	140						140.77									
A1EN2160	160						160.80									
A1EN3060	60	10	9	48	32	2	60.61	9	12	39	T50	34	9	39	-	TIM05003908
A1EN3080	80						80.65									
A1EN3100	100						100.69									
A1EN3120	120						120.73									
A1EN3140	140						140.77									
A1EN3160	160						160.80									
A1EN3180	180						180.84									
A1EN4080	80	20	14	52	34.5	3	80.65	9	16	44	T54	36.5	14	44	-	TIM05404408
A1EN4100	100						100.69									
A1EN4120	120						120.73									
A1EN4140	140						140.77									
A1EN4160	160						160.80									
A1EN4180	180						180.84									
A1EN4200	200						200.88									