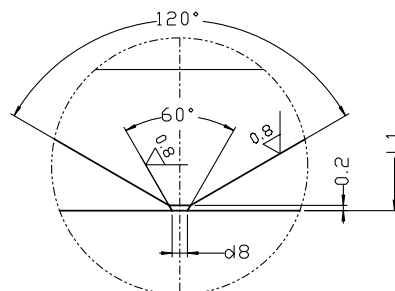
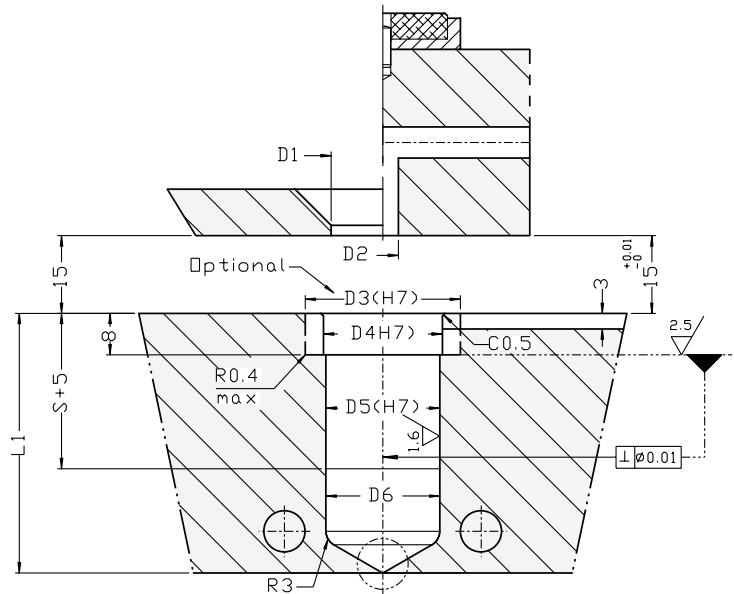
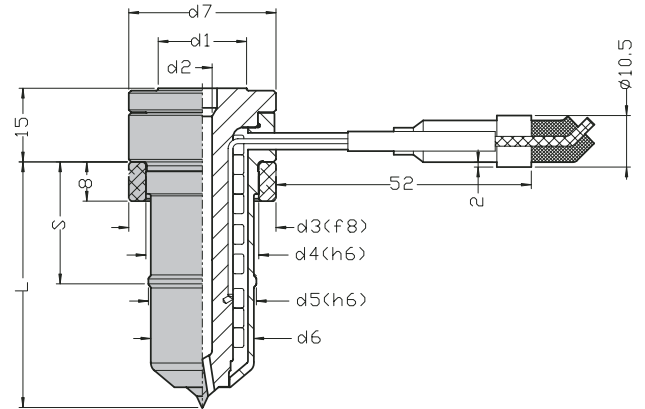
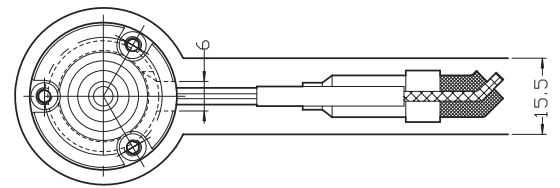


A1-NPT

HEATLOCK®



A1-T Series Features

- Easy to install, easy to use
- For direct gate on the part
- Excellent heat control around gate area
- Ceramic (size 1) or Titanium insulation ring optional

A1NPT Series

(mm)

Size	L	L1	S	d1	d2	d3	d4	d5	d6	d7	d8	D1	D2	D3	D4	D5	D6
A1NPT104022	40	40.11	15	18	4	30	23	22	21	30	≥0.6	20	6	30	23	22	22
A1NPT105022	50	50.13	25														
A1NPT106022	60	60.15	25														
A1NPT108022	80	80.19	35														
A1NPT110022	100	100.23	45														
A1NPT112022	120	120.36	55														
A1NPT204026	40	40.08	15	25	6	40	27	26	24.5	35	≥0.8	27	6	40	27	26	26
A1NPT206026	60	60.16	25														
A1NPT208026	80	80.20	35														
A1NPT210026	100	100.24	45														
A1NPT212026	120	120.28	55														
A1NPT214026	140	140.31	65														
A1NPT216026	160	160.35	75														

Length Expansion (L1 = L + X.XX) (mm)

The software nozzle est.rar calculating L1 length is available on our website, please go to <http://www.heatlock.com/cad/cad.htm> and use the pull down menu to download it.

(mm)

Size	Shot Weight (g)	Low-viscosity	Med-viscosity	High-viscosity	Gate size
A1-NPT size 1		<140	<60	<20	d8 is the minimum, the maximum is 2mm
A1-NPT size 2		<330	<220	<70	d8 is the minimum, the maximum is 3mm

Order example :

A1NPT-X--XXX---XX

(Series No.) (L) (d5)

A1NPT 1 080 22