

→ A1 TN Series



- Easy to install, easy to use
- Small residue
- For direct gate on the part
- For shot weights up to 1200 gram
- Ceramic (size1) or Titanium insulation ring optional

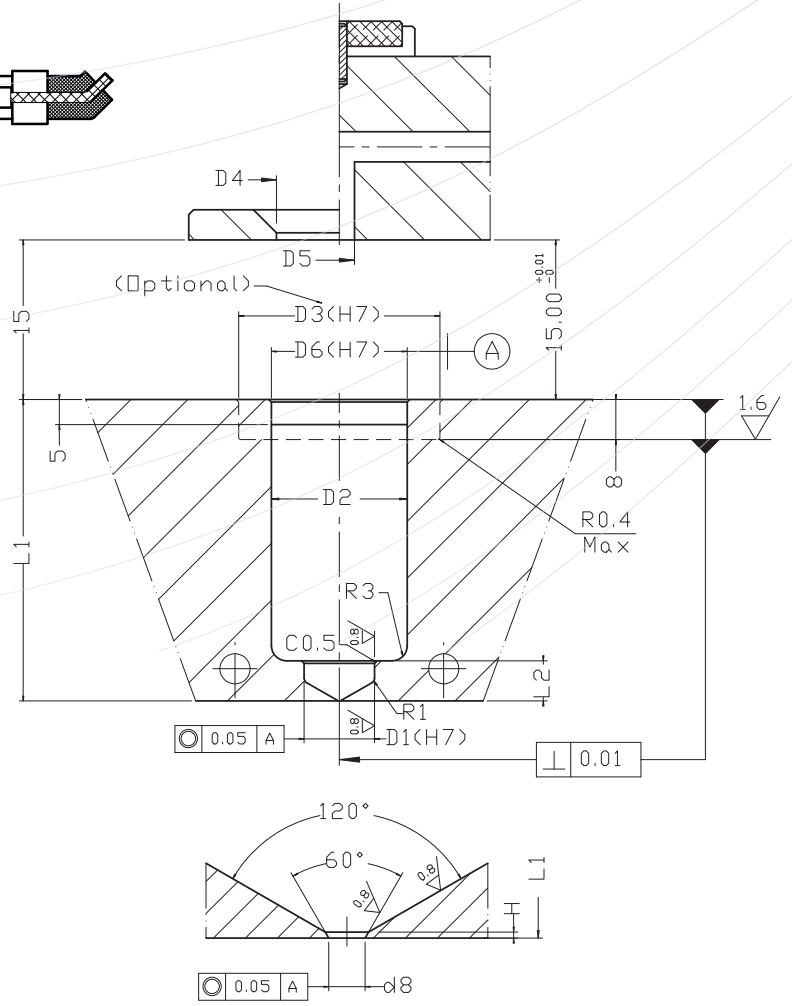
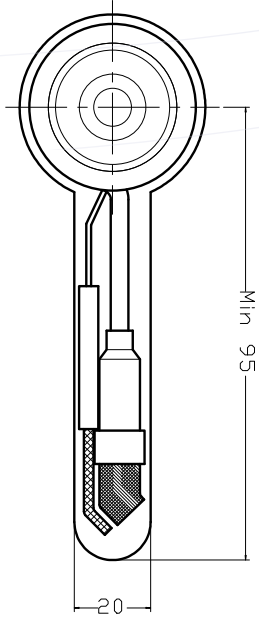
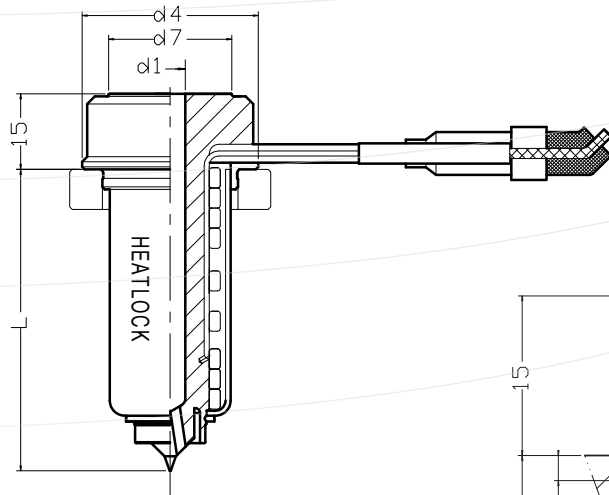


(mm)

Size	TN1	TN2	TN3	TN4
L	40~120	40~160	60~180	80~200
A	0.2-0.5	0.2-1	0.3-1	0.4-1.5
Φ Feed	4	6	9	14
Φ Gate	0.6-2	0.8-3	1.2-3	1.8-5

Shot Weight(g)				
Low-viscosity	80	330	590	1600
Medium-viscosity	60	190	340	1000
High-viscosity	5	25	60	500

→ A1 TNguide



→ A1 TN Nozzle Dimension

(mm)

A1 TN	Nozzle					Mould									Optional		
	length	Feed				Mould dimension									Gate	Ceramic ring	Titanium ring
Size	L	d1	d4	d7	H	L1	L2	D1	D2	D3	D4	D5	D6	d8			
A1TN1040	40	4	29	18	0.2	40.11	6.5	11	23	C30 T30	20	6	23	≥0.6	KEM03002308	TIM03002308	
A1TN1050	50					50.13											
A1TN1060	60					60.15											
A1TN1080	80					80.19											
A1TN1100	100					100.23											
A1TN1120	120					120.26											
A1TN2040	40	6	35	24.5	0.2	40.08	8	14	27	T36 T40 T50	26.5	6	27	≥0.8	-	TIM03602708 TIM04002708 TIM05002708	
A1TN2060	60					60.16											
A1TN2080	80					80.2											
A1TN2100	100					100.24											
A1TN2120	120					120.28											
A1TN2140	140					140.31											
A1TN2160	160					160.35											
A1TN3060	60					9											48
A1TN3080	80	80.21															
A1TN3100	100	100.25															
A1TN3120	120	120.29															
A1TN3140	140	140.32															
A1TN3160	160	160.36															
A1TN3180	180	180.4															
A1TN4080	80	14	52	34.5	0.4		80.21	10.5	25	44	T54	36.5	14	44	≥1.8	-	
A1TN4100	100					100.25											
A1TN4120	120					120.29											
A1TN4140	140					140.33											
A1TN4160	160					160.37											
A1TN4180	180					180.4											
A1TN4200	200					200.44											

D3:C=Ceramic; T=Titanium