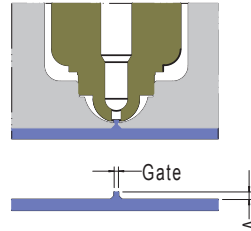


## → A1 TP Series



- Easy to install, easy to use
- Fast gate cooling
- Suitable for direct gate or gate on runners
- For shot weights up to 1650 gram
- Ceramic (size1) or Titanium insulation ring optional

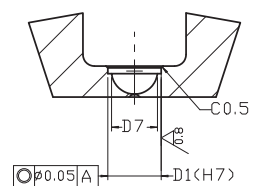
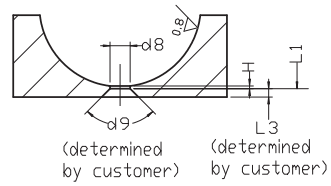
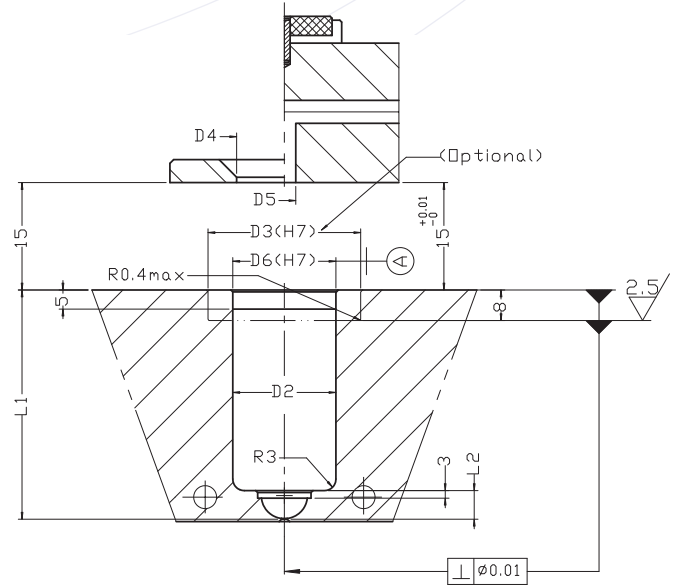
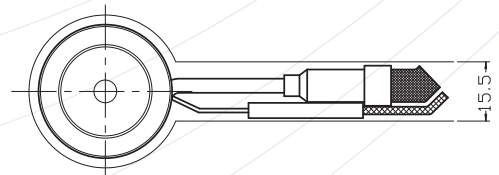
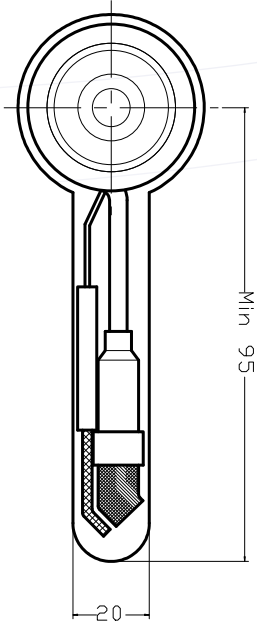
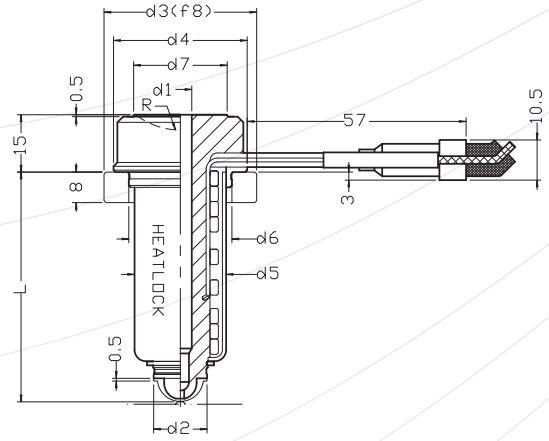
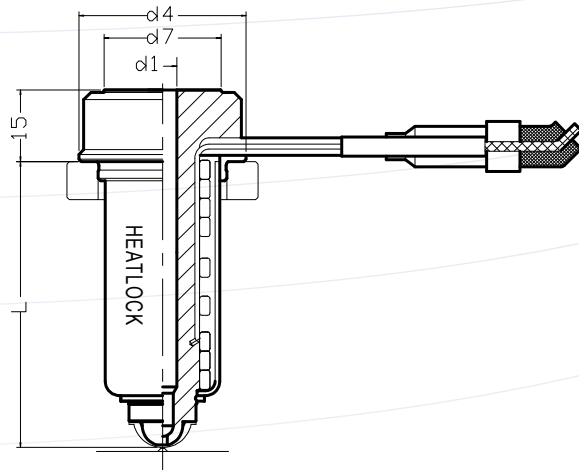


(mm)

Size	TP1	TP2	TP3	TP4
L	40~120	40~160	60~180	80~200
A	1-2	1-3	1.5-4	2-5
Φ Feed	4	6	9	14
Φ Gate	0.6-3	0.8-4	1.2-5	1.8-6

Shot Weight(g)				
Low-viscosity	100	450	850	1800
Medium-viscosity	60	240	400	1200
High-viscosity	7	30	70	600

→ A1 TP guide



## → A1 TP Nozzle Dimension

(mm)

A1 TP	Nozzle					Mould										Optional		
	length	Feed				Mould dimension										Gate	Ceramic ring	Titanium ring
Size	L	d1	d4	d7	H	L1	L2	D1	D2	D3	D4	D5	D6	D7	d8			
A1TP1040	40	4	29	18	0.2	40.11	6.5	11	23	C30 T30	20	6	23	9	≥0.6	KEM03002308	TIM03002308	
A1TP1050	50					50.13												
A1TP1060	60					60.15												
A1TP1080	80					80.19												
A1TP1100	100					100.23												
A1TP1120	120					120.26												
A1TP2040	40	6	35	24.5	0.2	40.08	8	14	27	T36 T40 T50	26.5	6	27	12	≥0.8	-	TIM03602708 TIM04002708 TIM05002708	
A1TP2060	60					60.16												
A1TP2080	80					80.2												
A1TP2100	100					100.24												
A1TP2120	120					120.28												
A1TP2140	140					140.31												
A1TP2160	160					160.35												
A1TP3060	60	9	48	32	0.3	60.17	9.5	19	39	T50	34	9	39	16.5	≥1.2	-	TIM05003908	
A1TP3080	80					80.21												
A1TP3100	100					100.25												
A1TP3120	120					120.29												
A1TP3140	140					140.32												
A1TP3160	160					160.36												
A1TP3180	180					180.4												
A1TP4080	80	14	52	34.5	0.4	80.21	10.5	25	44	T54	36.5	14	44	22.5	≥1.8	-	TIM05404408	
A1TP4100	100					100.25												
A1TP4120	120					120.29												
A1TP4140	140					140.33												
A1TP4160	160					160.37												
A1TP4180	180					180.4												
A1TP4200	200					200.44												

D3:C=Ceramic T=Titanium