



→ A1 VG Series

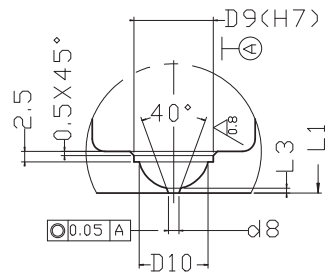
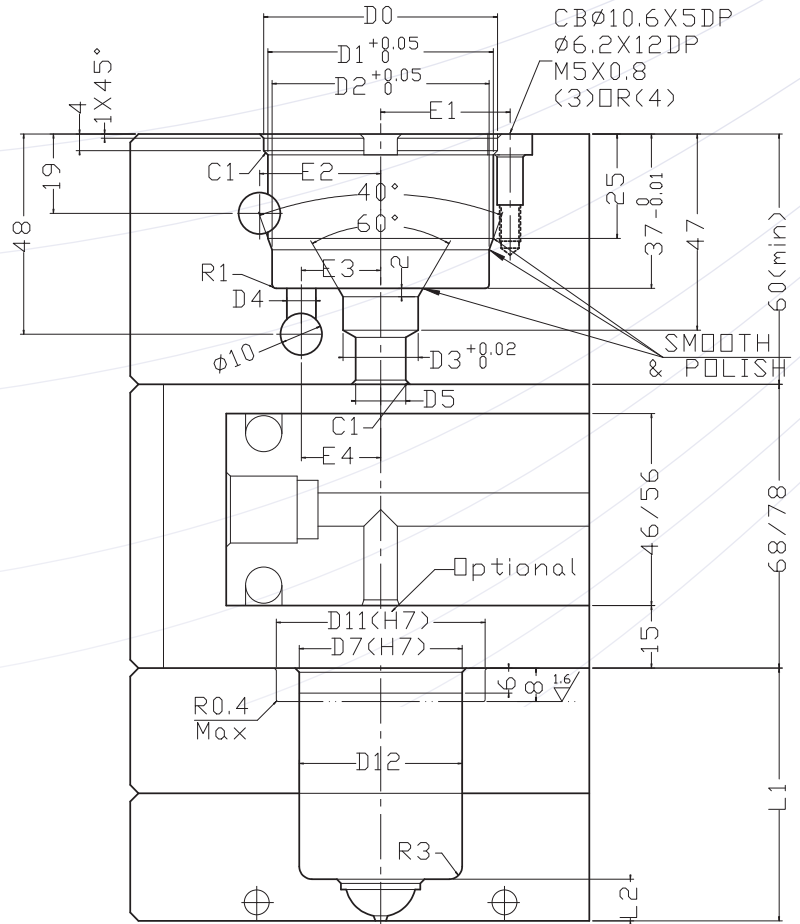
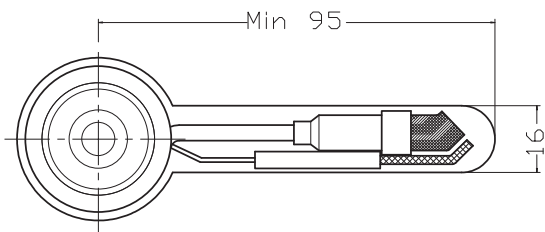
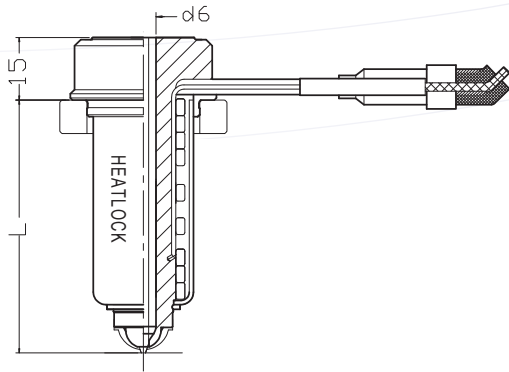
- Pneumatic valve gate system
- No residue on part
- Gate diameter 0.8 to 5mm
- Ceramic (size1) or Titanium insulation ring optional

(mm)

Size	VG1	VG2	VG3	VG4
L	40~120	40~160	60~180	80~200
Φ Feed	4	6	9	14
Φ Gate	≧ 0.8	≧ 1.0	≧ 1.5	≧ 2.5

Shot Weight(g)				
Low-viscosity	80	390	700	1200
Medium-viscosity	60	130	300	550
High-viscosity	5	25	70	300

→ A1 VGguide



→ A1 VG Nozzle Dimension

(mm)

A1 VG	Nozzle			Mould									Optional	
	length		Feed	Mould Dimension			Gate					Ceramic ring	Titanium ring	
Size	L	d4	d6	L1	L2	L3	D7	d8	D9	D10	D11	D12		
A1VG1040	40	29	4	40.11	6.5	0.8	23	≥0.8	11	9	C30 T50 T30	23	KEM03002308	TIM03002308
A1VG1050	50			50.13										
A1VG1060	60			60.15										
A1VG1080	80			80.19										
A1VG1100	100			100.20										
A1VG1120	120			120.30										
A1VG2040	40	35	6	40.08	8	0.8	27	≥1.0	14	12	T36 T40 T50	27		TIM03602708 TIM04002708 TIM05002708
A1VG2060	60			60.16										
A1VG2080	80			80.20										
A1VG2100	100			100.20										
A1VG2120	120			120.3										
A1VG2140	140			140.30										
A1VG2160	160			160.40										
A1VG3060	60	48	9	60.17	10	1.2	39	≥1.5	19	16.5	T50	39		TIM05003908
A1VG3080	80			80.21										
A1VG3100	100			100.30										
A1VG3120	120			120.3										
A1VG3140	140			140.30										
A1VG3160	160			160.40										
A1VG3180	180			180.40										
A1VG4080	80	52	14	80.21	10.5	1.2	44	≥2.5	25	22.5	T54	44		TIM05404408
A1VG4100	100			100.30										
A1VG4120	120			120.30										
A1VG4140	140			140.30										
A1VG4160	160			160.40										
A1VG4180	180			180.40										
A1VG4200	200			200.40										

D3:C=Ceramic; T=Titanium