

→ A2 POS+PPS+PPX+PSX Series



POS

- Topless direct gate or on a sprue gate
- Open flow little shear stress
- Fast gate cooling

PPS

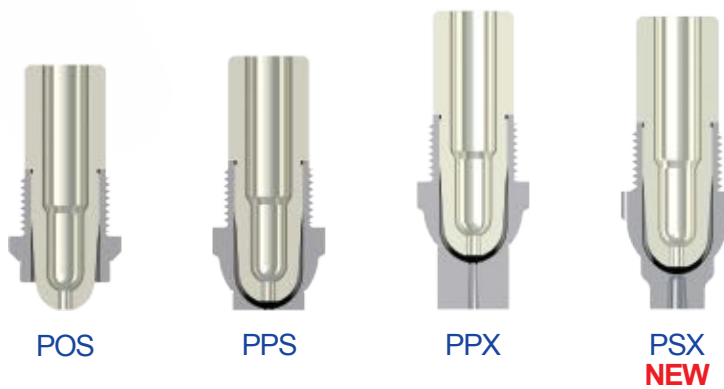
- Topless direct gate or on a sprue gate
- Open flow little shear stress
- Exchangeable gate, gate separated from mould plate

PPX

- Direct gate or on a sprue gate small residue on the part
- Open flow little shear stress
- Gating on contour or with a sprue gate
- Exchangeable gate, gate separated from mould plate

PSX

- Perfect hot to cold solution
- Direct gate on the part, reduced stringing
- Exchangeable front, gate separated from mould plate
- Excellent for glass filled resins and high temperature moulding



(mm)

Size	Size 04	Size 05	Size 07	Size 10
L	50~100	40~120	40~160	60~180
Feed ϕ	4	5	7	10
Gate ϕ	0.6~1.5	0.6~2	0.8~3	1.2~3

Shot Weight(g)				
Low-viscosity	100	300	600	1100
Medium-viscosity	60	125	310	500
High-viscosity	7	25	60	115

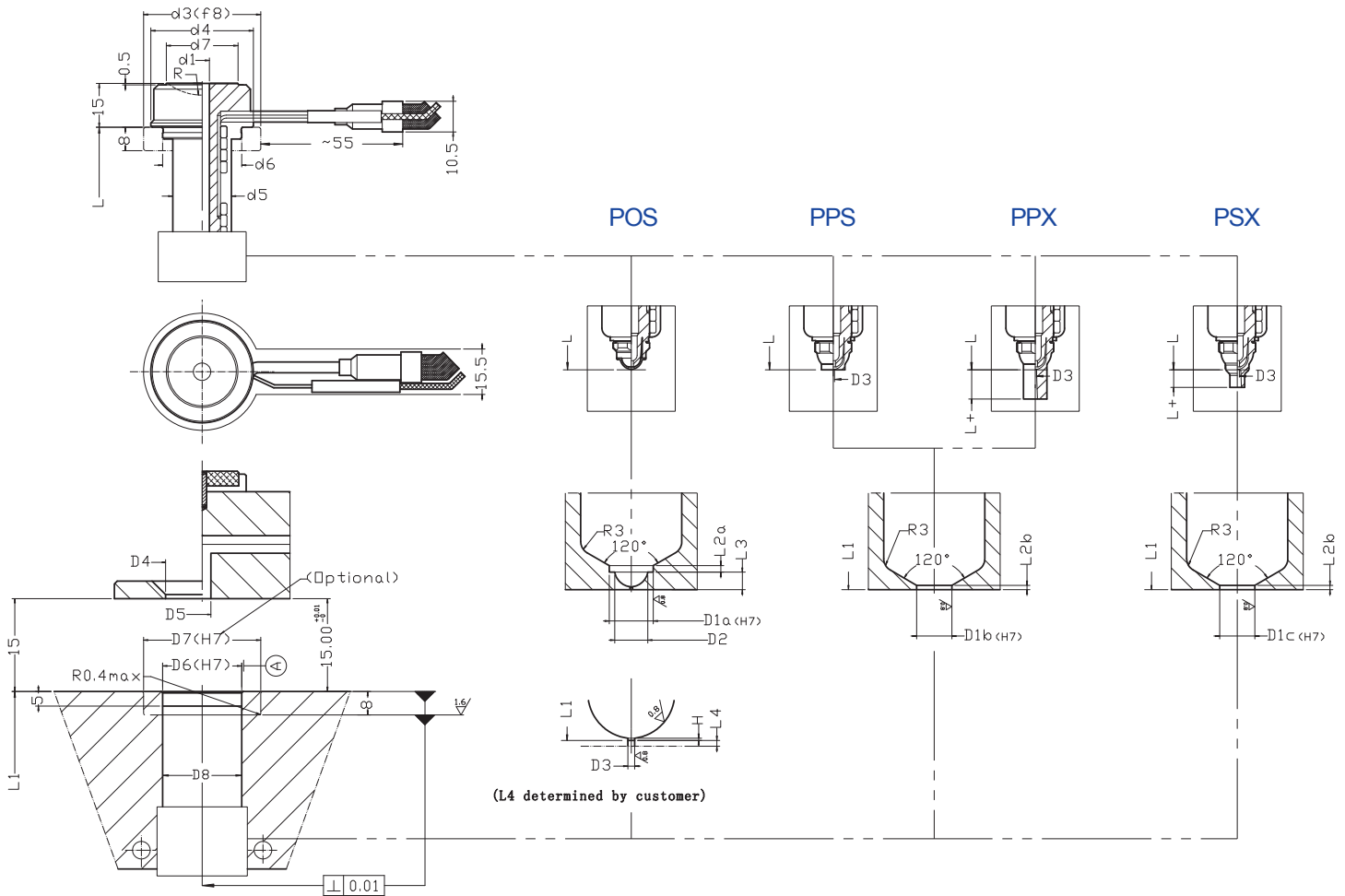
→ A2 POS+PPS+PPX+PSX Guide

Order example:



A2 - POS - 080 - 05

Nozzle series Nut/Front type L Feed dia



→ A2 POS+PPS+PPX+PSX Dimension

(mm)

		A2 + POS PPS PPX PSX																							
Size		04				05				07				10											
L		50	60	80	100	40	50	60	80	100	120	40	60	80	100	120	140	160	60	80	100	120	140	160	180
Nozzle	L+	5				10(PX),6(SX)				15(PX),7(SX)				15(PX),7(SX)											
	d1	4				5				7				10											
	d3	T23				C30,T30				T36,T40,T50				T50											
	d4	23				29				35				48											
	d5	13				20				24				34											
	d6	17				23				27				39											
	d7	14				18				24.5				32											
	Mould	L1	50.13	60.15	80.18	100.22	40.11	50.13	60.15	80.18	100.22	120.26	40.12	60.15	80.19	100.23	120.27	140.31	160.34	60.25	80.32	100.38	120.44	140.50	160.56
L2a		1.1				2				2.5				2.6											
L2b		1				1				1.5				2											
L3		1.7				3.5				3.5				4.4											
D1a		6				10				12				18											
D1b		6				8				10				14											
D1c		5				5				7				10											
D2		4.5				7.5				9				12.4											
D3		1.5≥0.6				2≥0.6				3≥0.8				≥2											
D4		16				20				26.5				34											
D5		4				5				7				10											
D6		17				23				27				39											
D7		T23				C30,T30				T36,T40,T50				T50											
D8		17				23				27				39											

C=Ceramic T=Titanium