

→ A3 NOX Series

NOX

- Topless direct gate small residue on the part
- One exit options for shear sensitive materials

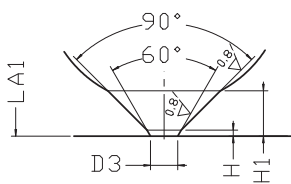
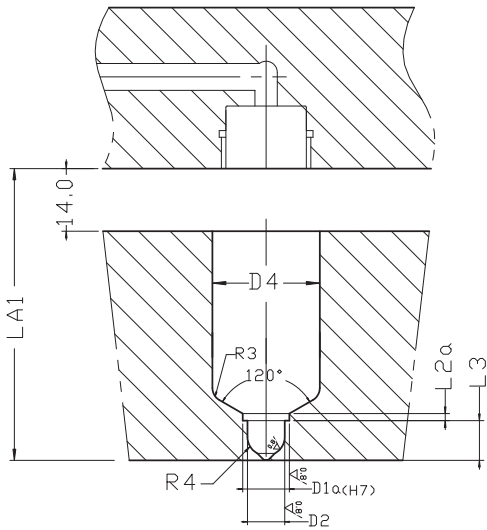
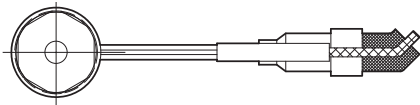
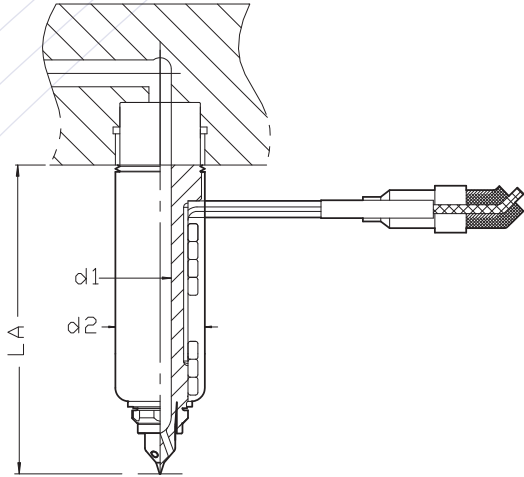


(mm)

Size	Size 05	Size 07
LA	69~139	79~179
Feed ϕ	5	7
Gate ϕ	0.6~2	0.8~3

Shot Weight(g)		
Low	200	400
Medium	100	260
High	20	50

→ A3 NOX Guide



Order example:



A3 - NOX - 095 - 05 - 1 - 3

Nozzle series	Nut type	LA	Feed dia	Tip mat.	Exits in tip

Tip codes:

material: 1=copper alloy,
Exits: 1=one exit,3=three exit

→ A3 NOX Dimension

(mm)

A3 NOX													
Nozzle	Size	05					07						
	LA	69	79	99	119	139	79	99	119	139	159	179	
	d1	5					7						
	d2	20					23						
Mould	LA1	69.15	79.17	99.21	119.25	139.29	79.17	99.21	119.25	139.29	159.33	179.37	
	L2a	2					2.5						
	L3	8.5					8.5						
	D1a	10					12						
	D2	8					9						
	D3	2≥0.6					3≥0.8						
	D4	23					27						
	H	0.2					0.2						