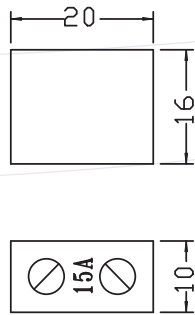


Ceramic



Art.Nr.	Ampere
MHCONN001	15

Thermocouple

Thermocouples for accurate measuring of temperature in moulds for injection moulding . The thermocouples from HEATLOCK are J-Type of industrial standard and have grounded junctions.

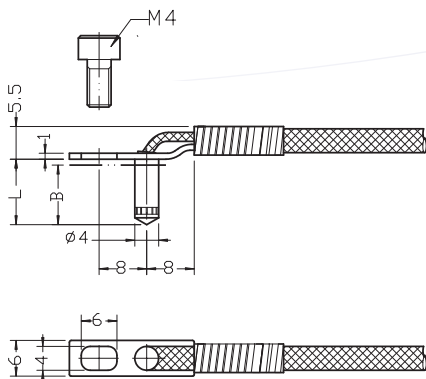
Lead wires are protected by a rugged stainless steel braided cover. Length of cables 900 mm.

Connect:

- Black (Red) to the positive pole (+)
- White (Blue)to the negative pole (-)

Used to measure temperatures on i.e. manifolds. Measures the temperature in the tip of the tube.(400°C)

Drill the bore for the thermocouple 1 mm shorter than the L-measurement to insure good contact at the measuring point ; B=L-1

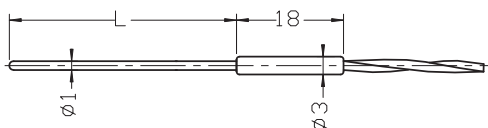


Part NO.	L
TC00040180	12

Thin thermocouple used to measure the temperature on our Heatlock bushes. The thermocouple is protected by a capton tube. It measures in the tip of the tube.

The tube can be bent with a radius of min.3mm. Measures temperatures up to 400°C.

The Ø3 mm base can withstand temperatures up to max.260°C.



Part NO.	L
TC00140195	45
TC00140200	55
TC00140210	75
TC00140220	100
TC00140230	110
TC00140250	160
TC00140270	210