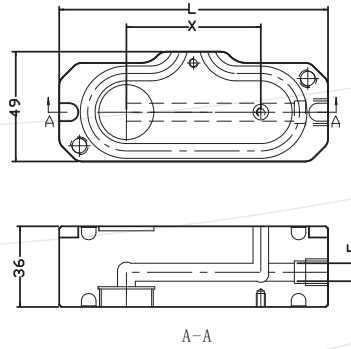
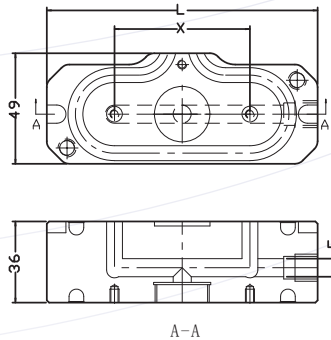


Offset type



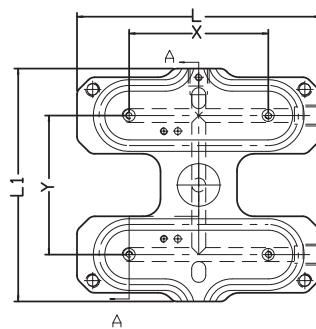
Part No.	F(Ø)	L=120 X	L=140 X	L=160 X	L=180 X	L=200 X	L=220 X
SMO/3606	6	60	80	100	120	140	160
SMO/3608	8						

I type



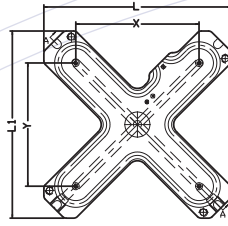
Part No.	F(Ø)	L=120 X	L=140 X	L=160 X	L=180 X	L=200 X	L=220 X
SMI/3606	6	60	80	100	120	140	160
SMI/3608	8						

H type

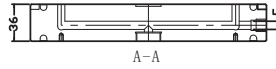


Part No.	F(Ø)	Y	L=140 X	L=160 X	L=180 X	L=200 X	L=220 X	L=260 X	L=300 X	L=340 X	L1
SMH/3606	6	80	80	100	120	140	160	200	240	280	134
SMH/3608	8										
SMH/3606	6	100		100	120	140	160	200	240	280	154
SMH/3608	8										
SMH/3606	6	120			120	140	160	200	240	280	174
SMH/3608	8										
SMH/3606	6	140				140	160	200	240	280	194
SMH/3608	8										

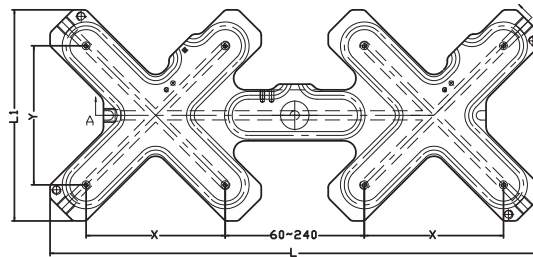
A2/3 Manifold X X-X Y-Y type



X type

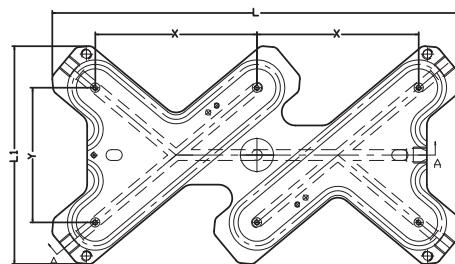


Part No.	F(∅)	L=129 X/Y	L=149 X/Y	L=169 X/Y	L=182 X/Y	L=202 X/Y	L=222 X/Y	L=262 X/Y	L=302 X/Y
SMX/3606	6	60	80	100	120	140	160	200	240
SMX/3608	8								



X-X type

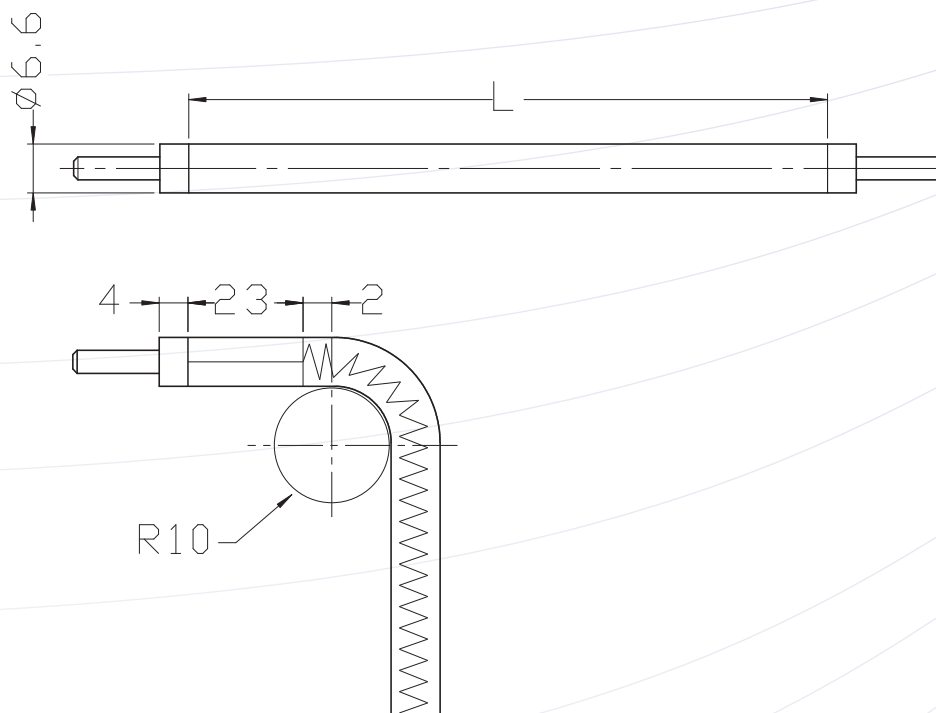
Part No.	F(∅)	L=242 L1=129 X/Y	L=302 L1=149 X/Y	L=362 L1=169 X/Y	L=422 L1=182 X/Y	L=482 L1=202 X/Y	L=542 L1=222 X/Y	L=662 L1=262 X/Y	L=782 L1=302 X/Y
SMXX/3606	6	60	80	100	120	140	160	200	240
SMXX/3608	8								



Y-Y type

Part No.	F(∅)	Y	L=222 X	L=264 X	L=305 X	L=344 X	L=384 X	L=465 X	L1
SMY/3606	6	80	80	100	120				142
SMY/3608	8								
SMY/3606	6	100		100	120	140			162
SMY/3608	8								
SMY/3606	6	120			120	140	160		182
SMY/3608	8								
SMY/3606	6	140				140	160	200	202
SMY/3608	8								

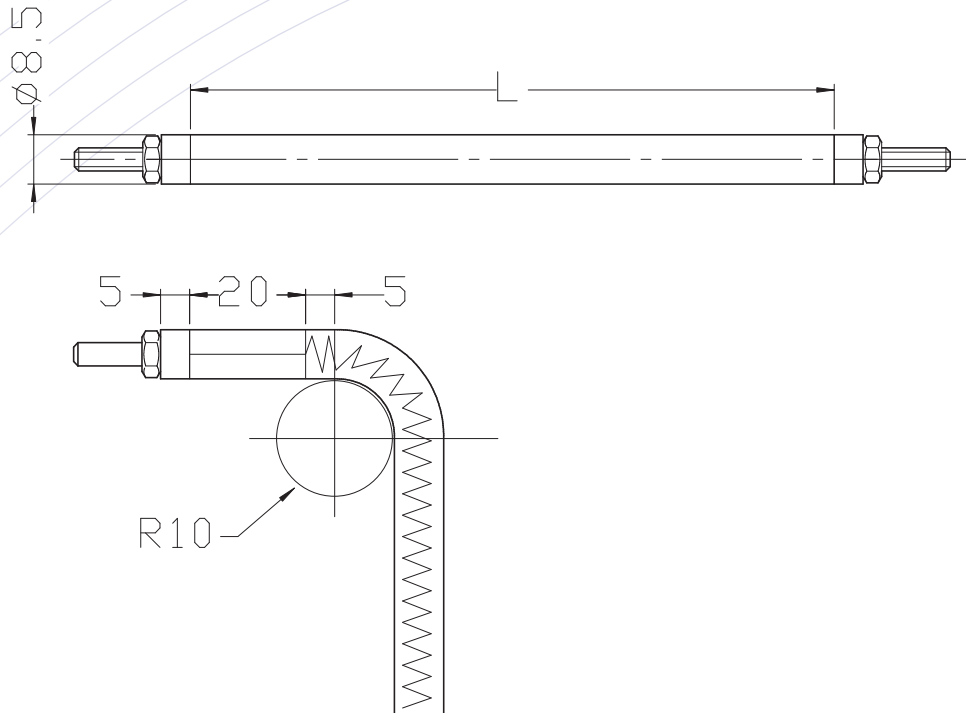
Straight Tubular heater/ Rakt Element-RH66



Bending Instruction: The tube cladding must not be damaged by impact from hammers or damaged by scars. Once a tubular heater has been bent, it must not be bent back on the same spot.

Item code	L	Power	Item code	L	Power
RH6602750300	275	300	RH6606920850	692	850
RH6603150350	315	350	RH6607010850	701	850
RH6603550400	355	400	RH6607150900	715	900
RH6603950450	395	450	RH6607210900	721	900
RH6604350500	435	500	RH6607330900	733	900
RH6604430500	443	500	RH6607400900	740	900
RH6604750550	475	550	RH6607710950	771	950
RH6605550650	555	650	RH6608081000	808	1000
RH6605600700	560	700	RH6608191050	819	1050
RH6605670700	567	700	RH6608841100	884	1100
RH6606040750	604	750	RH6608901150	890	1150
RH6606160750	616	750	RH6609581200	958	1200
RH6606350800	635	800	RH6609971250	997	1250
RH6606540800	654	800	RH6610701400	1070	1400
RH6606740850	674	850	RH6611501500	1150	1500

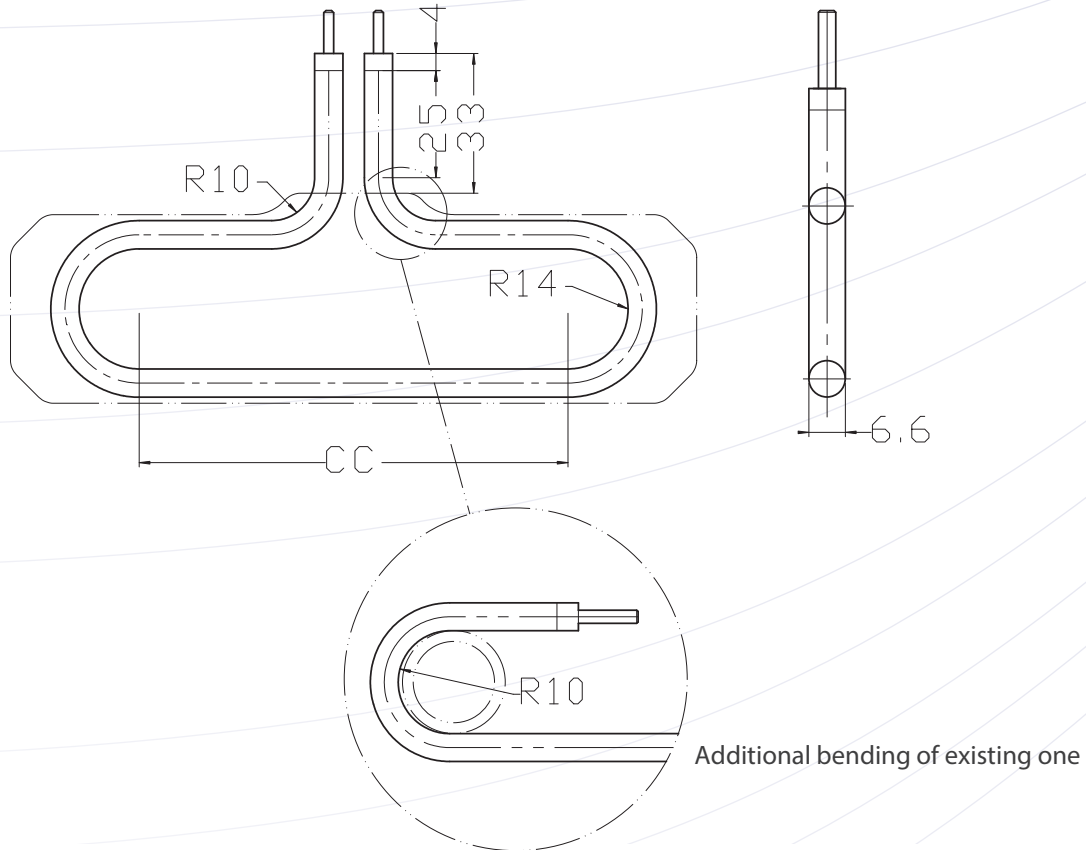
Straight Tubular heater/ Rakt Element-RH85



Bending Instruction: The tube cladding must not be damaged by impact from hammers or damaged by scars. Once a tubular heater has been bent, it must not be bent back on the same spot.

Item code	L	Power
RH8502960350	296	350
RH8503250400	325	400
RH8503650450	365	450
RH8504050500	405	500
RH8504450550	445	550
RH8504550550	455	550
RH8504850600	485	600
RH8505670700	567	700
RH8506470850	647	850
RH8506810900	681	900
RH8507270950	727	950
RH8507721000	772	1000
RH8508301100	830	1100
RH8508861200	886	1200
RH8509451250	945	1250
RH8510051300	1005	1300
RH8510801450	1080	1450
RH8511601550	1160	1550
RH8512281650	1228	1650

Tubular heater/ Element-MHI66

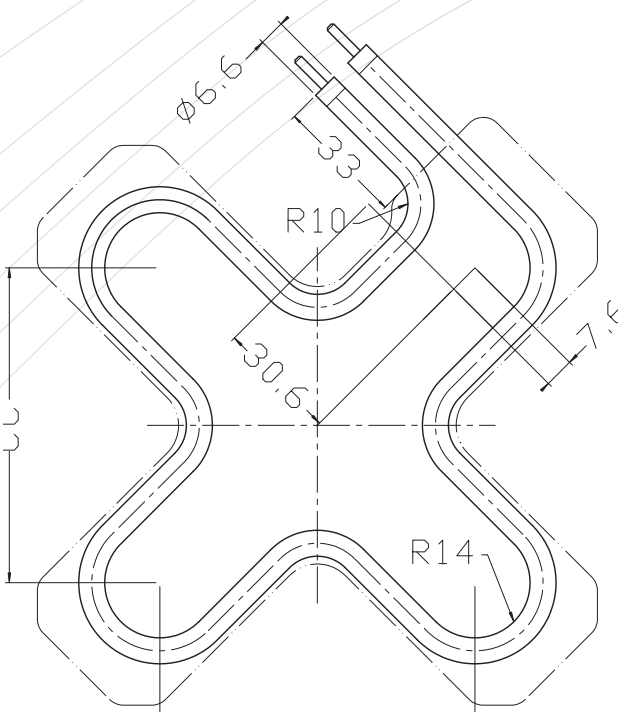


If you need to bend the heater 180°, make sure to use a pipe as support of minimum radius 10 mm. This will prevent the heater to be damaged.

For further information, get in contact with your local distributor of Heatlock. Latest information always available at www.heatlock.com.

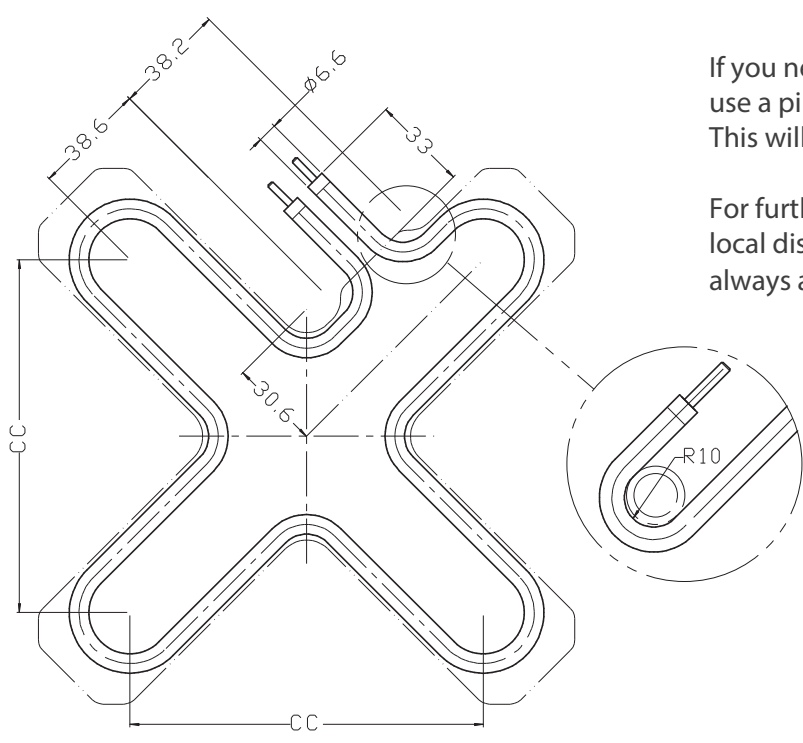
Item code	CC	L	Power
MHI0600300	60	275	300
MHI0800350	80	315	350
MHI1000400	100	355	400
MHI1200450	120	395	450
MHI1400500	140	435	500
MHI1600550	160	475	550
MHI2000650	200	555	650
MHI2400800	240	635	800
MHI2800900	280	715	900

Tubular heater/ Element-MHX66



CC ≤ 100mm

Item code	CC	L	Power
MHX0600500	60	443	500
MHX0800700	80	560	700
MHX1000850	100	674	850
MHX1200950	120	771	950
MHX1401100	140	884	1100
MHX1601250	160	997	1250
MHX2001600	200	1224	1600
MHX2400900	240	733	900



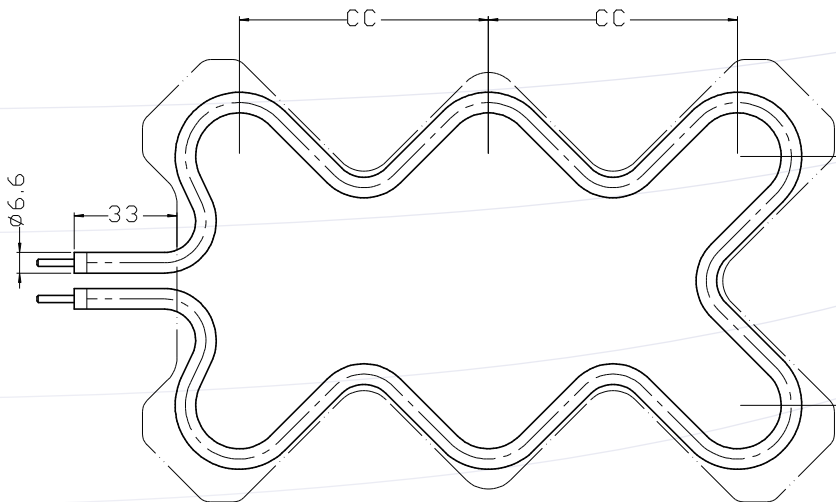
CC ≤ 240mm

If you need to bend the heater 180°, make sure to use a pipe as support of minimum radius 10 mm. This will prevent the heater to be damaged.

For further information, get in contact with your local distributor of Heatlock. Latest information always available at www.heatlock.com.

Additional bending of existing one

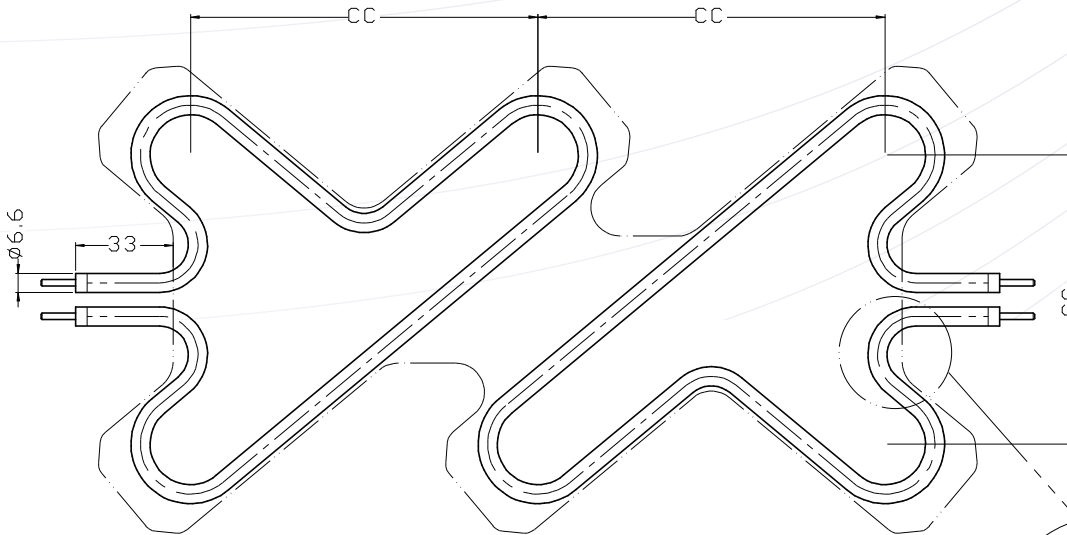
Tubular heater/ Element-MHY66



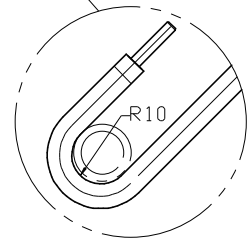
$CCY/X \leq 100/120\text{mm}$

If you need to bend the heater 180°, make sure to use a pipe as support of minimum radius 10 mm. This will prevent the heater to be damaged.

For further information, get in contact with your local distributor of Heatlock. Latest information always available at www.heatlock.com.



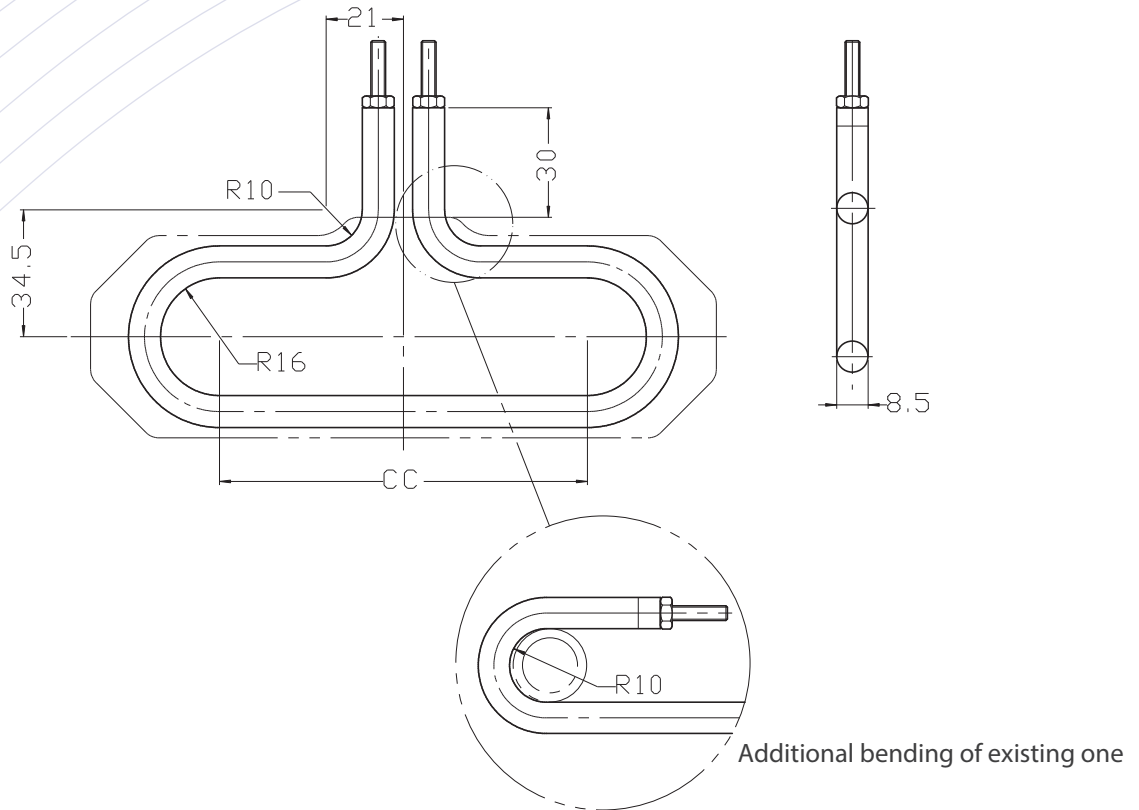
$CCY/X \leq 140/200\text{mm}$



Additional bending of existing one

Item code	CC	L	Power
MHY0800800900	80/80	721	900
MHY0801001000	80/100	808	1000
MHY0801201150	80/120	890	1150
MHY100/1001200	100/100	958	1200
MHY1001200700	100/120	567	700
MHY1001400750	100/140	604	750
MHY1201200750	120/120	616	750
MHY1201400800	120/140	654	800
MHY1201600850	120/160	692	850
MHY1402001050	140/120	819	1050
MHY1401400850	140/140	701	850
MHY1401600900	140/160	740	900

Tubular heater/ Element-MHI85

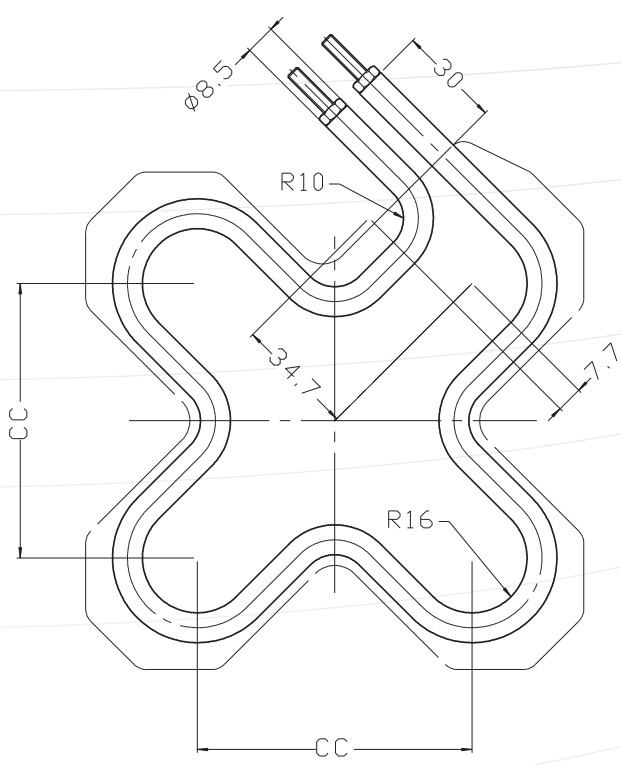


If you need to bend the heater 180°, make sure to use a pipe as support of minimum radius 10 mm. This will prevent the heater to be damaged.

For further information, get in contact with your local distributor of Heatlock. Latest information always available at www.heatlock.com.

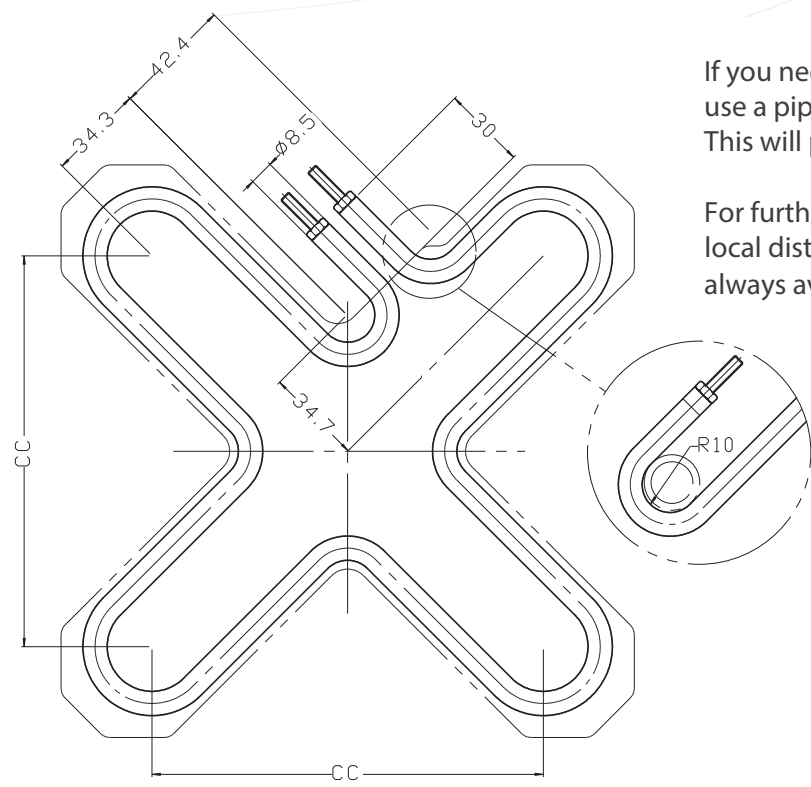
Item code	CC	L	Power
MHI0600350	60	296	350
MHI0800400	80	325	400
MHI1000450	100	365	450
MHI1200500	120	405	500
MHI1400550	140	445	550
MHI1600600	160	485	600
MHI2000700	200	567	700
MHI2400850	240	647	850
MHI2800950	280	727	950

Tubular heater/ Element-MHX85



CC ≤ 100mm

Item code	CC	L	Power
MHX0600550	60	455	550
MHX0800700	80	567	700
MHX1000900	100	681	900
MHX1201000	120	772	1000
MHX1401200	140	886	1200
MHX1601350	160	1005	1350
MHX2001650	200	1228	1650
MHX2401000	240	772	1000



CC ≤ 240mm

If you need to bend the heater 180°, make sure to use a pipe as support of minimum radius 10 mm. This will prevent the heater to be damaged.

For further information, get in contact with your local distributor of Heatlock. Latest information always available at www.heatlock.com.

Additional bending of existing one